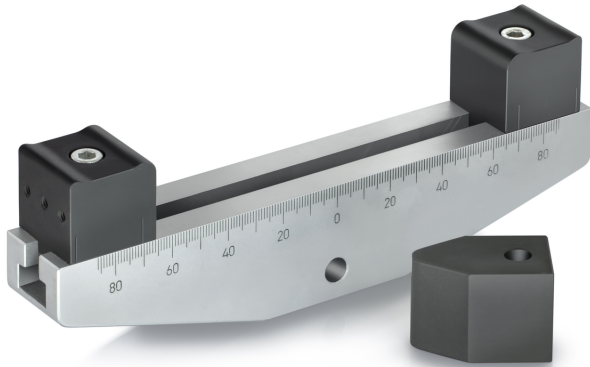


# KERN AD 9302



3-point bending device with interchangeable attachments



## Category

Brand	Sauter
Product category	Measurementtechnology
Product group	Bending device

## Construction

Dimension housing (W×D×H)	200×40×30 mm
Dimensions completely mounted (W×D×H)	200×40×30 mm
Material	steel
Mounting - force dissipation	Threaded hole M6 External thread M12
Tensile/compressive force [Max]	20 kN

## Packing & Shipping

Readability force [d] (N)	14 d
Dimensions packaging (W×D×H)	200×40×30 mm
Net weight	2 kg
Shipping method	Parcel service
Net weight approx.	2,0 kg
Gross weight approx.	2,0 kg
Shipping weight	2 kg

## Pictograms